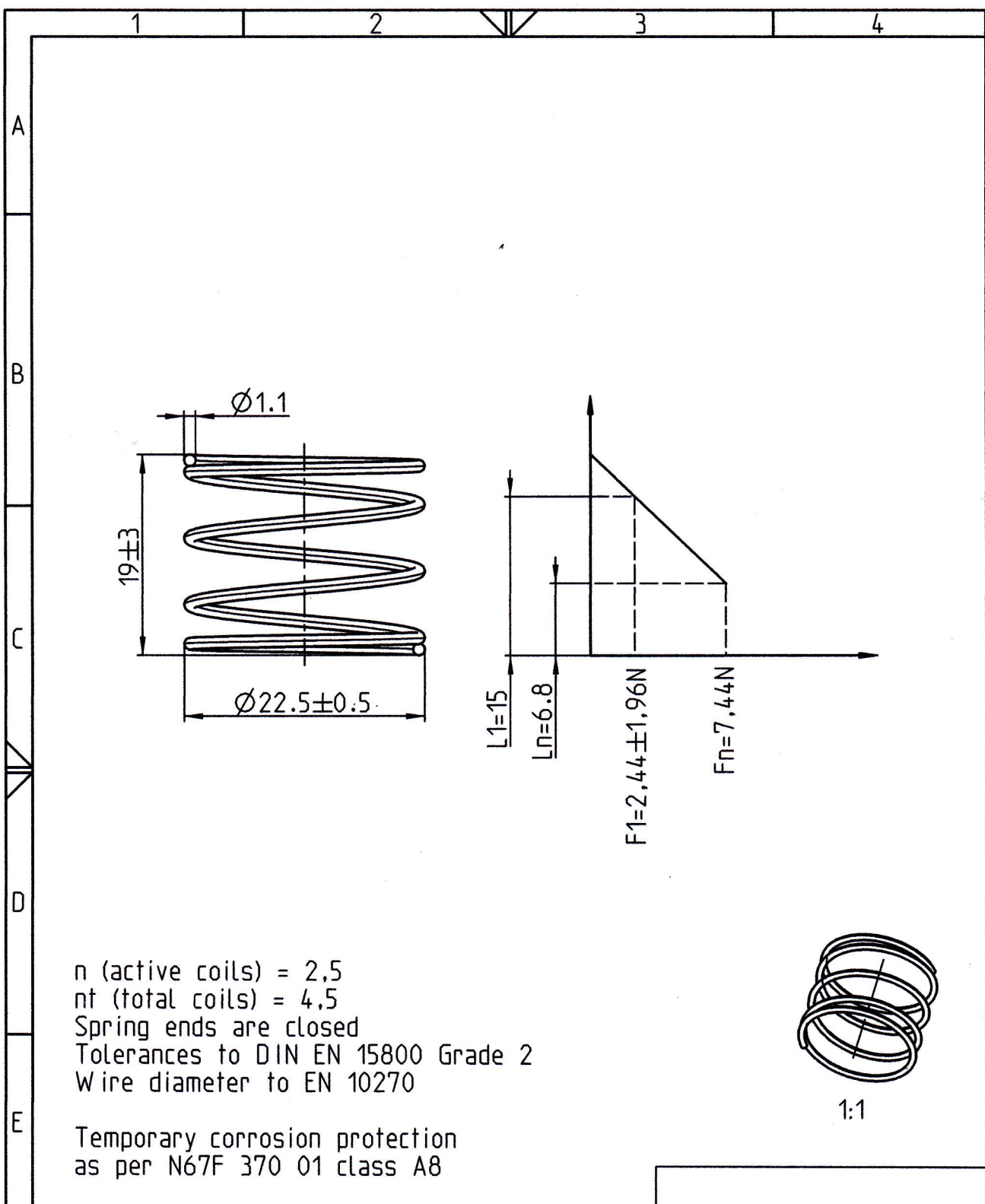


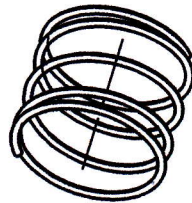
© Robert Bosch Power Tools GmbH. Alle Rechte vorbehalten, auch bzgl. jeder Vervielfältigung, Verbreitung, Reproduktion, Bearbeitung, Weitergabe sowie für den Fall von Schutzrechtsanmeldungen.

© Robert Bosch Power Tools GmbH. All rights reserved, also regarding any disposal, exploitation, reproduction, editing, distribution, as well as in the event of applications for industrial property rights.



n (active coils) = 2,5
 nt (total coils) = 4,5
 Spring ends are closed
 Tolerances to DIN EN 15800 Grade 2
 Wire diameter to EN 10270

Temporary corrosion protection
 as per N67F 370 01 class A8



1:1

AA		gpa2mc		797		PT-HG/EXF	
Ind./Change/Aend.	YYYYMMDD	Drawn/Gez.	Checked/Gepr.	Releas./Freig.	BWN	Resp. dept./Verantw. Abt.	Add. info./Zus. Info.
Treatment/Behandlung	--	Missed details/Fehlende Angaben				Size/Gst. --	
Mat./Stoff	see BOM					From/Aus --	
Lang./Spr. en/de	Wght./Gew. --	BOSCH				COMPRESSION SPRING DRUCKFEDER	
Crit. P. --	Scale/M.stab 2:1	Mat.meets/Stoffe s	Syst. PE	Doc.type DRW	1 600 A01 30U		DP/TD -- Ind. AA Format A4
MNR 1 600 A01 30U			N2580-1	PE	Repl. for	Repl. by	

24/5/18 SL-8527