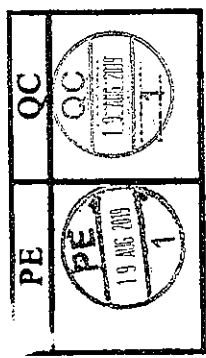
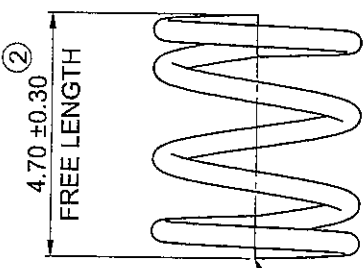


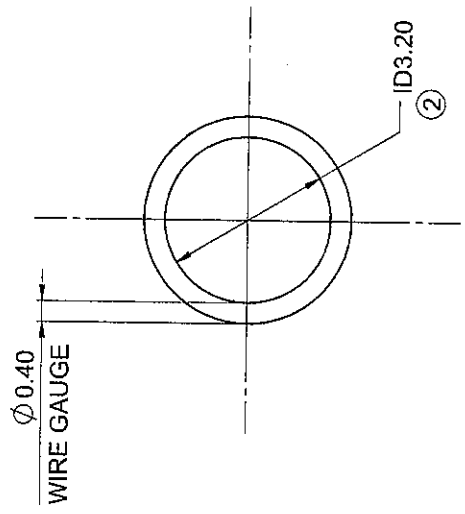
REV.	REVISION DESCRIPTION	ECN/ECO
1	RELEASED FOR TOOLING	N/A
2	4.70 TOL WAS +/-0.1. 3.20 ID WAS OD. LOAD AT L1 WAS 5N+/-10%. GP 16/08/2019	E-19-0335



DO NOT SCALE - IF IN DOUBT ASK



SEE NOTE 3

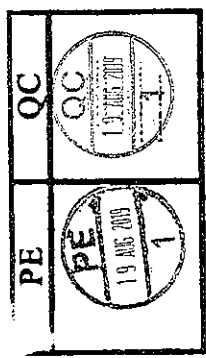


NOTES:

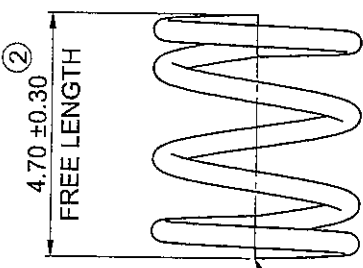
1. COMPONENT TO BE SUPPLIED CLEAN & FREE FROM BURRS.
2. NUMBER OF TURNS: 3.5
3. END FINISH: CLOSED
4. LOAD LENGTH L1: 3.1mm
5. LOAD AT L1: 3.75N+/-10%

PROJECT: 1030		WEIGHT: 0.05 g	VOLUME: mm <sup>3</sup>	SURFACE: 57.26 mm <sup>2</sup>
MATERIAL: Stainless Steel 316				
FINISH: N/A				
PROCESS: N/A				
PROCESS: N/A				
PROCESS: N/A				
ARTWORK No: N/A				
THE INFORMATION CONTAINED HEREIN SHALL NOT BE REPRODUCED WITHOUT THE PRIOR WRITTEN PERMISSION OF RAYMARINE LTD		RAYMARINE LTD		
TOLERANCES UNLESS OTHERWISE STATED				
X	±0.50			
X	±0.25			
.XX	±0.10	SURFACE 1.6		
.XXX	±0.05	SURFACE ∇		
SHARP INTERNAL CORNERS TO HAVE RADIUS 0.4 MAX				
DEBURR ALL EDGES				
ANGLES ±1° (EXCL DRAFT)				
TITLE		LOCKING SPRING		
DRAWING No.		1010866		
SHT 1 OF 1		MODEL: 2	2	1
STATUS: RELEASED		3		

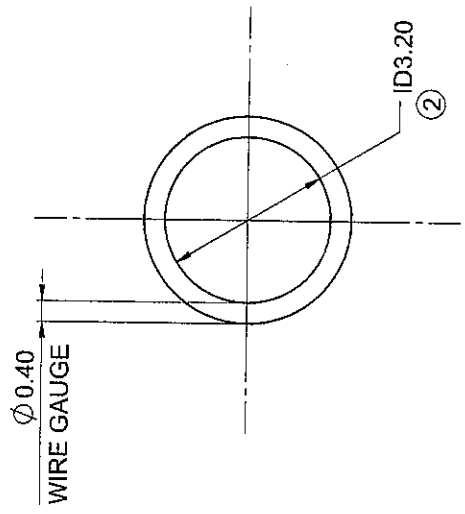
REVISIONS		
REV.	REVISION DESCRIPTION	ECN/ECO
1	RELEASED FOR TOOLING	N/A
2	4.70 TOL WAS +/-0.1. 3.20 ID WAS OD. LOAD AT L1 WAS 5N+/-10%. GP 16/08/2019	E-19-0335



DO NOT SCALE - IF IN DOUBT ASK



SEE NOTE 3



NOTES:

1. COMPONENT TO BE SUPPLIED CLEAN & FREE FROM BURRS.
2. NUMBER OF TURNS: 3.5
3. END FINISH: CLOSED
4. LOAD LENGTH L1: 3.1mm
5. LOAD AT L1: 3.75N+/-10%

PROJECT: 1030		WEIGHT: 0.05 g	VOLUME: mm <sup>3</sup>	SURFACE: 57.26 mm <sup>2</sup>
MATERIAL: Stainless Steel 316				
FINISH: N/A				
PROCESS: N/A				
PROCESS: N/A				
PROCESS: N/A				
ARTWORK No: N/A				
THE INFORMATION CONTAINED HEREIN SHALL NOT BE REPRODUCED WITHOUT THE PRIOR WRITTEN PERMISSION OF RAYMARINE LTD		RAYMARINE LTD		
TOLERANCES UNLESS OTHERWISE STATED				
X	±0.50			
X	±0.25			
.XX	±0.10	SURFACE 1.6		
.XXX	±0.05	SURFACE ∇		
SHARP INTERNAL CORNERS TO HAVE RADIUS 0.4 MAX				
DEBURR ALL EDGES				
ANGLES ±1° (EXCL DRAFT)				
TITLE		LOCKING SPRING		
DRAWING No.		1010866		
SHT 1 OF 1		MODEL: 2	2	1
STATUS: RELEASED		3		