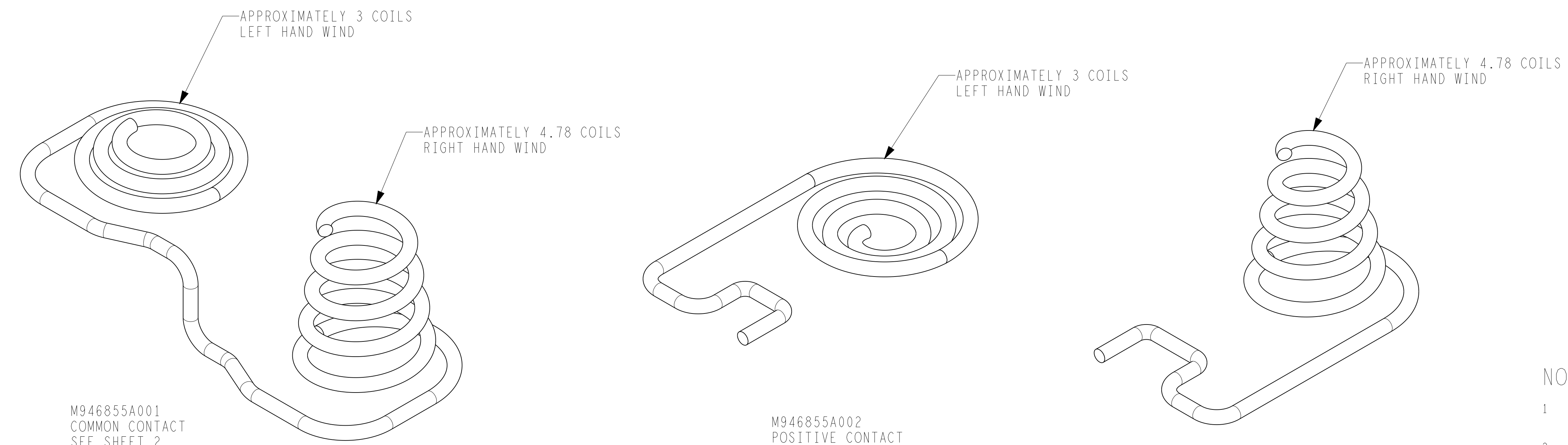


REVISIONS					
REV	DESCRIPTION	ECO NO	DATE	DFG	APVD
A	DOCUMENT RELEASE	11-01263	24MAR11	JJC	DG
B	UPDATED NOTE 5 & TOLERANCES THROUGHOUT; .125 MEAN DIA ±.010 WAS .105 MEAN DIA	12-04665	06DEC12	GTC	DG
C	UPDATED 3 PLACE TOLERANCE BLOCK TO +/- .010	17-00779	06MAR17	JJC	DL



M946855A001  
COMMON CONTACT  
SEE SHEET 2  
SCALE 10.000

M946855A002  
POSITIVE CONTACT  
SEE SHEET 3  
SCALE 10.000

M946855A003  
NEGATIVE CONTACT  
SEE SHEET 3  
SCALE 10.000

NOTES

- PART SHALL MEET ALL REQUIREMENTS CONTAINED IN THE RELATED ENGINEERING BILL OF DOCUMENTS, BILL OF MATERIALS AND SPECIFICATIONS.
- MATERIAL: .0226 DIA. BERYLLIUM COPPER, PRETEMPER, SILVERCOAT PER ASTM-B-197, C17200
- ALL BEND RADII REF.
- COILED ENDS TO BE CLOSED AND SQUARED.
- PART SHALL BE SUPPLIED FREE OF ALL LOOSE BURRS. TIGHT BURRS THAT CANNOT BE READILY BENT OR DISLODGED ARE ACCEPTABLE UP TO A MAXIMUM OF .005".
- PARTS TO BE SHIPPED TO AVOID TANGLING.
- POST PLATING: 3u INCHES OF GOLD OVER 200u INCHES OF NICKEL.

<p>MEDTRONIC NEUROMODULATION MINNEAPOLIS, MINNESOTA USA</p>	TITLE CONTACT - AAA, BATTERY, CTM2		
	<p>MEDTRONIC CONFIDENTIAL THIS DOCUMENT IS THE PROPERTY OF MEDTRONIC, INC. AND MUST BE ACCOUNTED FOR. INFORMATION HEREON IS CONFIDENTIAL. DO NOT REPRODUCE IT, REVEAL IT TO UNAUTHORIZED PERSONS OR SEND IT OUTSIDE MEDTRONIC WITHOUT PROPER AUTHORIZATION</p>	DATE 14Jan11	DO NOT SCALE PRINT
<p>UNSPECIFIED DRAWING PRACTICES PER ASME Y14.5M, 1994</p>	<p>DRAFTING J.CLAYTON</p>	<p>ENGINEERING D.GUY</p>	<p>THE CAD DATA FOR THIS PART NUMBER CAN BE MADE AVAILABLE UPON REQUEST</p>
<p>THIRD ANGLE PROJECTION</p>	<p>X.X ± .1 X.XX ± .01 X.XXX ± .010 X.XXXX ± .0005 ANGLES ± .1°</p>	<p>TYPE -</p> <p>SIZE D</p>	<p>FIRST DESIGNED FOR MODEL - NEXT ASSY -</p> <p>DOCUMENT NUMBER M946855A</p> <p>REV C</p> <p>SHEET 1 of 3</p>

M946855A

PRO/ENGINEER

8

7

6

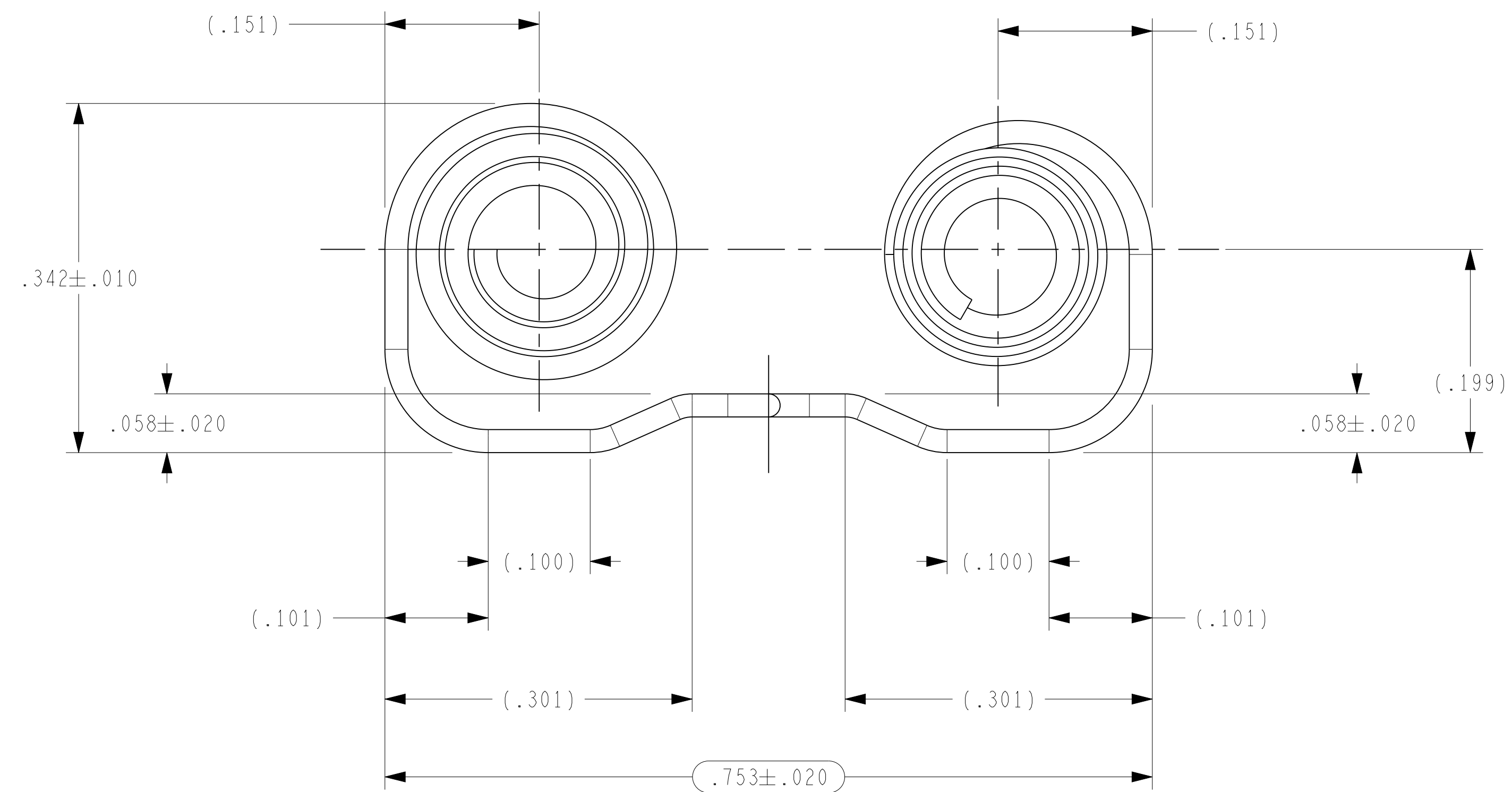
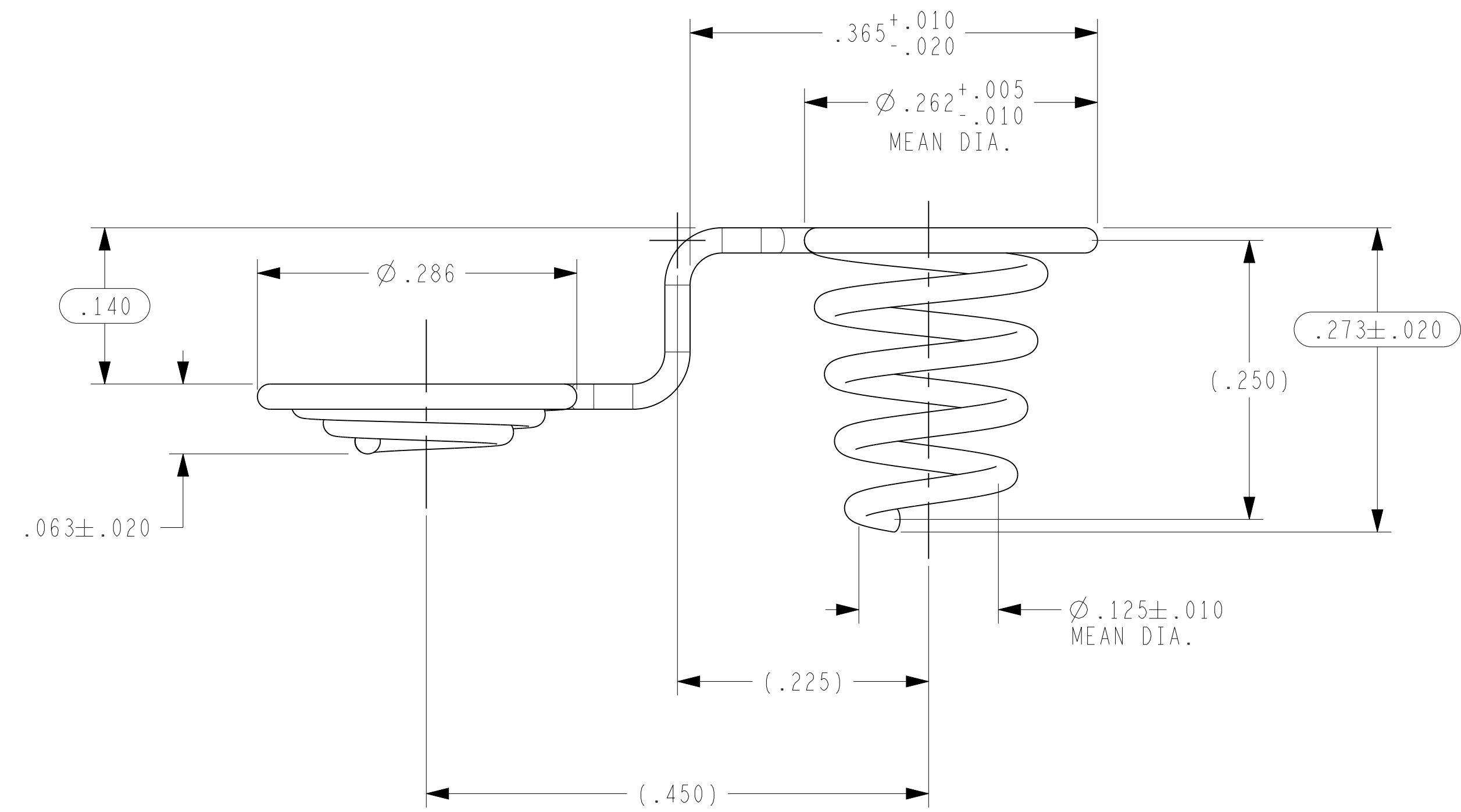
5

4

3

2

1



M946855A001

MEDTRONIC CONFIDENTIAL			
SIZE	DOCUMENT NUMBER	REV	SHEET
D	M946855A	C	2 of 3

M946855A

PRO/ENGINEER

8

7

6

5

4

3

2

1

8

7

6

5

↓

4

3

2

1

D

D

C

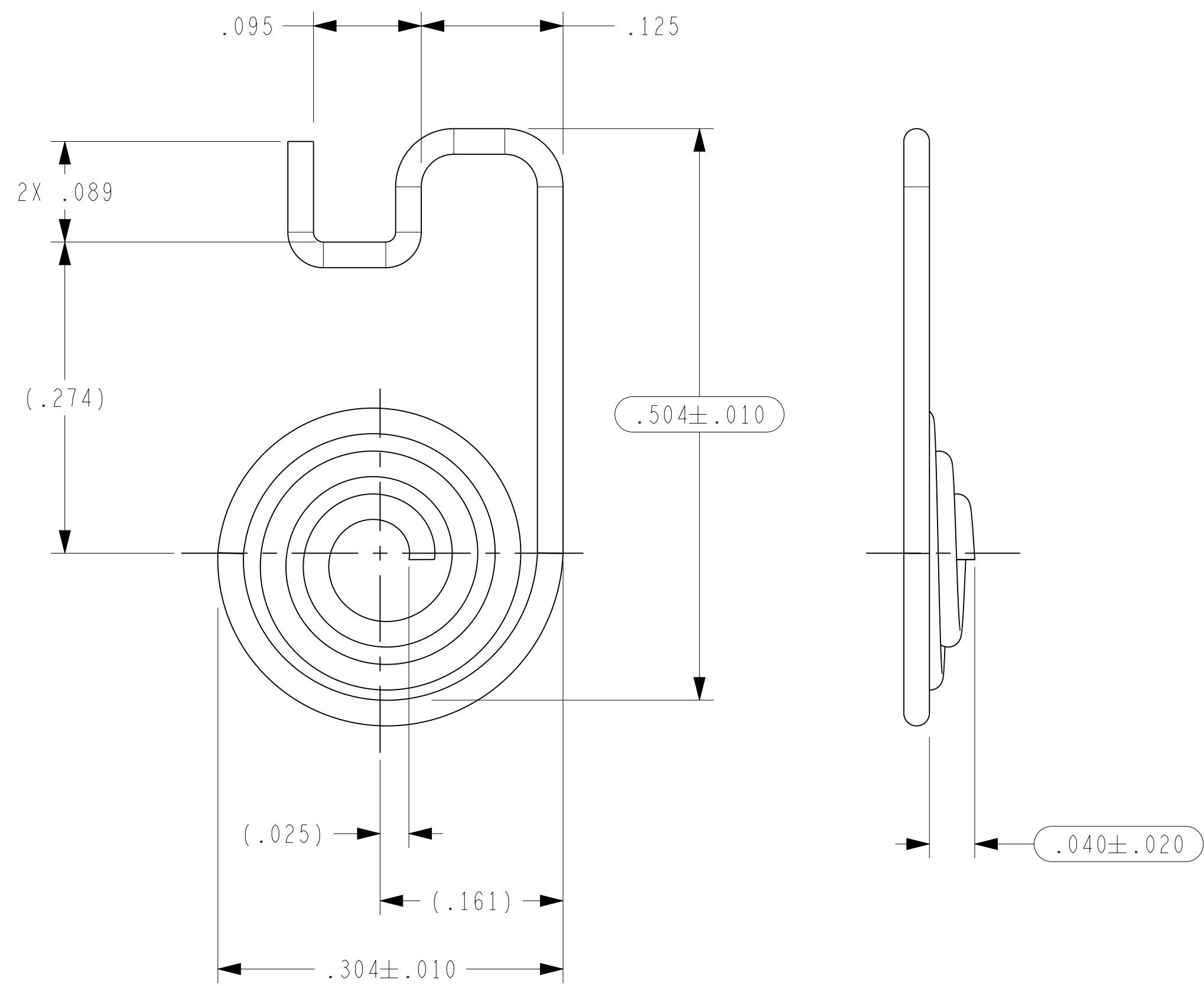
C

B

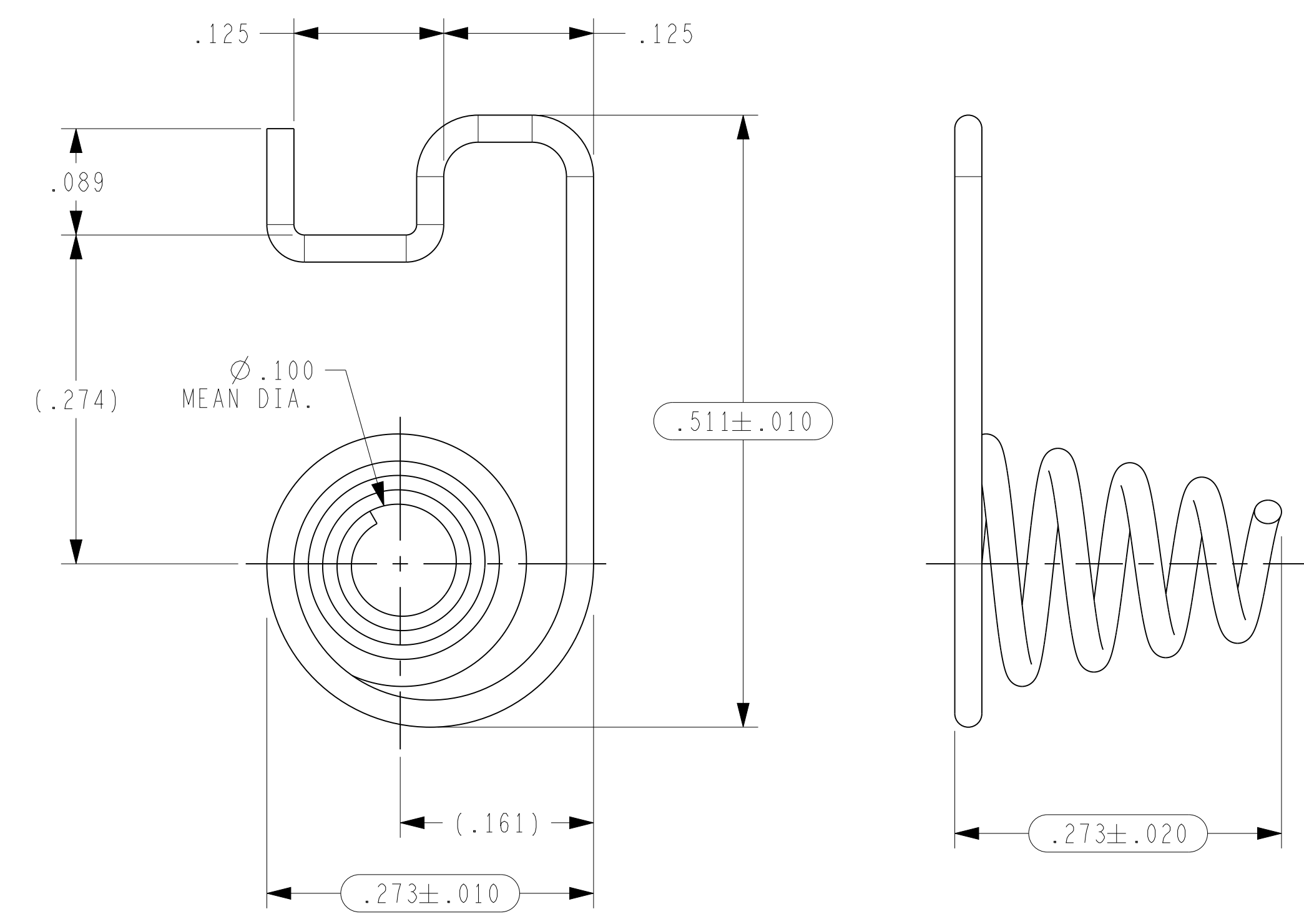
B

A

A



M946855A002



M946855A003

8

7

6

5

↑

4

3

2

1

MEDTRONIC CONFIDENTIAL			
SIZE	DOCUMENT NUMBER	REV	SHEET
D	M946855A	C	3 of 3

M946855A

PRO/ENGINEER