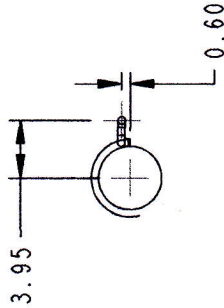
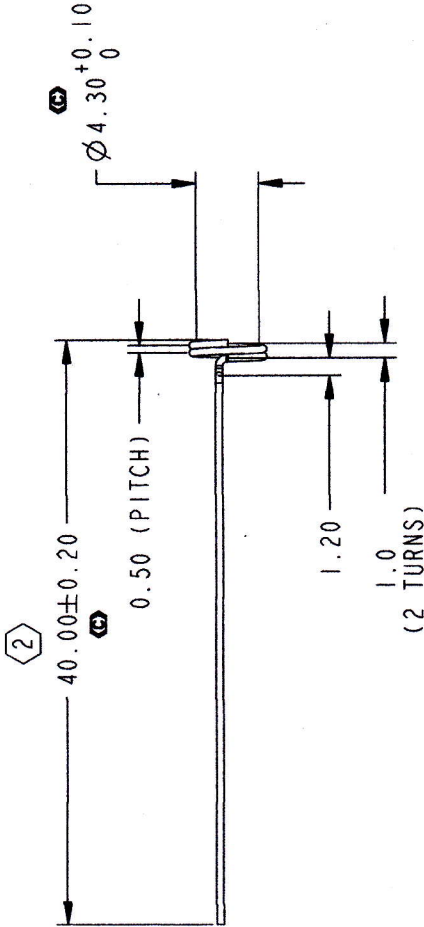


FOR REFERENCE ONLY IF PRINTED DRAWING STATUS:

CAD DATABASE FILENAME: OUTER\_SPRING\_G2\_UHF

REV.	DESCRIPTION.	DATE.	ECO NO.	BY.
1	Released For Proto.	23-Jul-18	N/A	KY Ho
2	Dim changed from 50 to 40mm.	13-Aug-18	N/A	KY Ho



NOTES:

- MATERIAL :  $\varnothing$ 0.5mm MUSIC WIRE
- PLATING: COPPER PLATED
- THICKNESS: 6 TO 12 MICRON
- ALL DIMENSIONS ARE IN MILLIMETERS
- CAD CONTROLLED GEOMETRY
- MAX BURR 0.05MM, NO LOOSE BURRS PERMITTED
- PARTS SHALL BE FREE OF LOOSE BURRS, OILS AND DEBRIS.
- NO CHANGE IN MATERIAL AND SHEET THICKNESS IS ALLOWED WITHOUT PRIOR WRITTEN APPROVAL BY EMITS TECHNOLOGY.
- DO NOT SCALE DRAWING
- PARTS SHALL BE PACKAGED IN A MANNER TO PREVENT BOWING, SCRATCHING OR DAMAGE DURING SHIPMENT (FOR EXAMPLE USE TRAY).
- DIMENSIONS TO THEORETICAL INTERSECT ON (T.I.)
- ALL MATERIALS, PLATING AND PROCESSES USED TO FABRICATE THE COMPONENT SPECIFIED ON THIS DOCUMENT MUST COMPLY WITH THE ROHS DIRECTIVE 2002/95EC AND GP SS-00259 REQUIREMENTS.

ITEM NO.	QTY.	PART NUMBER	DESCRIPTION	MATERIAL
<p>EMITS PROPRIETARY - THE DRAWING ON THIS PRINT AND INFORMATION THEREIN ARE PROPRIETARY TO EMITS, AND SHALL NOT BE DISCUSS IN WHOLE OR IN PART WITHOUT EMITS CONSENT.</p>				
<p>EMITS TECHNOLOGY Sdn. Bhd.</p>				
<p>Address: No.2, Lorong Dakla, Tan Indestri Dakla, Mak Merita 13400 Butterworth, Penang, Malaysia.</p>				
<p>SCALE: 2.000 REV. 2 PART NUMBER: SPP001007194 PAGE: 1 OF 1</p>				
<p>MATERIAL: See Notes</p>				
<p>FINISH: See Notes</p>				
<p>DRAWN: KY Ho</p>				
<p>CHECKED: KY Ho</p>				
<p>APPROVED: BL Loy</p>				
<p>TOLERANCES (UNLESS SPECIFIED):</p> <ul style="list-style-type: none"> <li>X.X ±0.1</li> <li>X.XX ±0.05</li> <li>ANGLES ±0.05</li> <li>PERPENDICULARITY ±0.05</li> <li>FLATNESS ±0.05</li> </ul>				
<p>BREAK ALL CORNERS R0.25 MAX</p>				
<p>INDICATES CRITICAL DIMENSION</p>				
<p>INDICATES SPC REQUIRED</p>				
<p>Cpk &gt; 1.5 REQUIRES CORRECTIVE ACTION</p>				
<p>DIMENSIONING AND TOLERANCING PER ASME Y14.5M-1994</p>				

PROJECT DATABASE LOCATION: