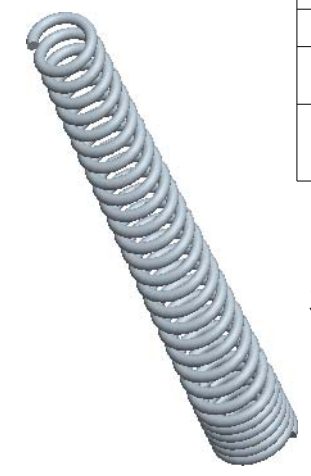
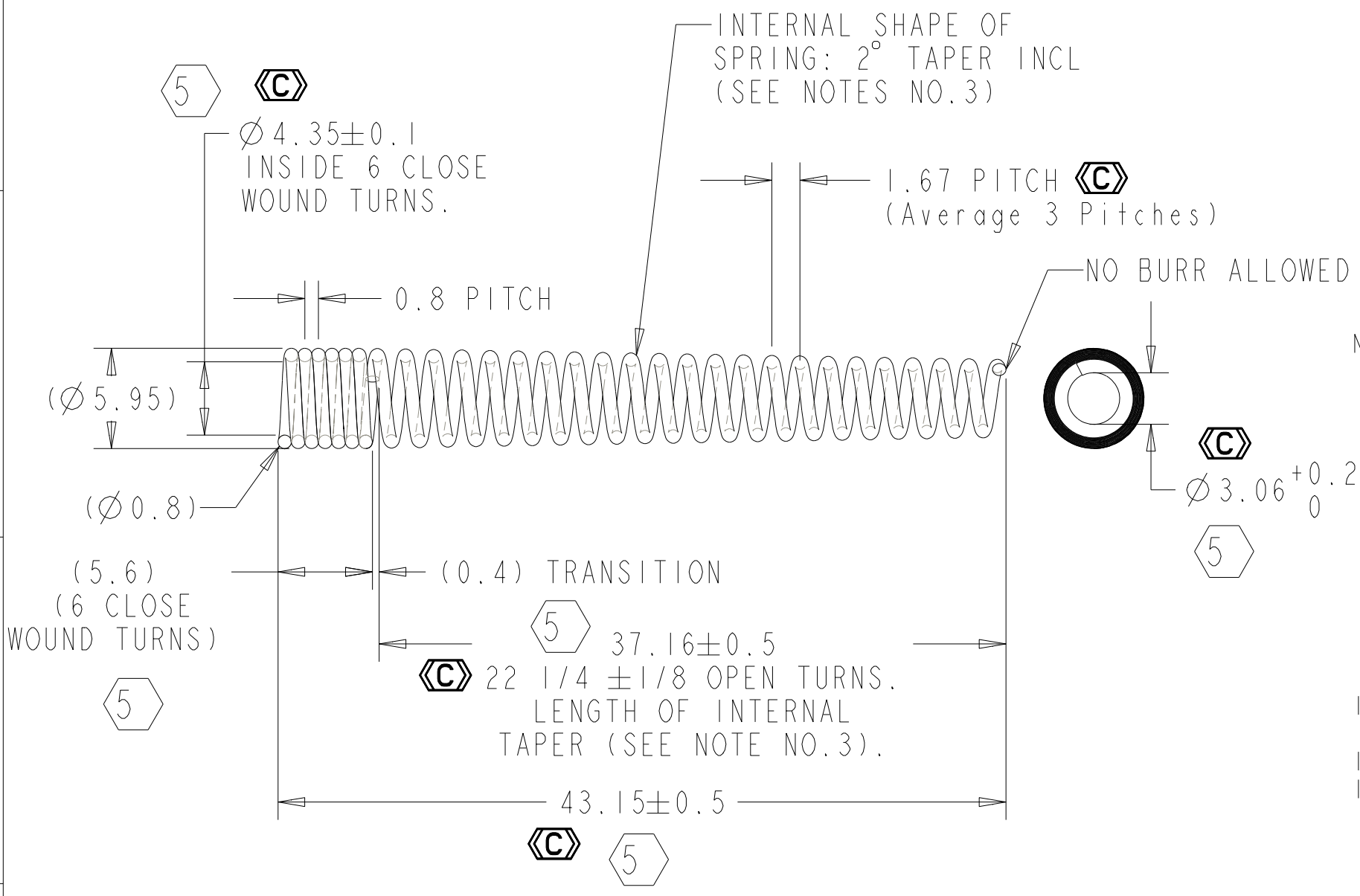


FOR REFERENCE ONLY IF PRINTED
DRAWING STATUS:
CAD DATABASE FILENAME:

REV	DESCRIPTION	DATE	BY
1	PRE-RELEASED	03-May-19	ZUL
2	ADD CRITICAL SYMBOL	16 MAY 19	ZUL
3	ADD DIMENSION 3.09 +0.1/-0	02-JULY-19	ZUL
4	CHANGE DIM TO 44.54+/-0.5, 40.54+/-0.5,	03-JULY-19	ZUL
5	CHANGE DIM TO 43.15+/-0.5, 4.35+0.2/-0.37.16+/-0.5, 3.06+0.2/-0 AND 22 1/4 OPEN TURNS AND 6 CLOSED TURNS	10-JULY-19	ZUL



SCALE 2.000



NOTES:

1. MATERIAL : PHOSPHOR BRONZE \varnothing 0.8mm WIRE
2. SPRING TO BE RIGHT HAND WOUND
3. INTERNAL TAPER TO FIT TAPER GAUGE PT. No. YT-553-02
4. ALL DIMENSIONS ARE IN MILLIMETERS
5. CAD CONTROLLED GEOMETRY
6. MAX BURR 0.05MM. NO LOOSE BURRS PERMITTED
7. PARTS SHALL BE FREE OF LOOSE BURRS, OILS AND DEBRIS.
8. NO CHANGE IN MATERIAL AND SHEET THICKNESS IS ALLOWED WITHOUT PRIOR WRITTEN APPROVAL BY EMITS TECHNOLOGY
9. DO NOT SCALE DRAWING.
10. PARTS SHALL BE PACKAGED IN A MANNER TO PREVENT BOWING, SCRATCHING OR DAMAGE DURING SHIPMENT (FOR EXAMPLE USE TRAY)
11. DIMENSIONS TO THEORETICAL INTERSECTION (TTI).
12. ALL MATERIALS SUPPLIED MUST BE RoHS2 (DIRECTIVE 2011/65/EU) COMPLIANT AND MUST NOT CONTAIN ANY SUBSTANCES OF VERY HIGH CONCERN (SVHCs) LISTED UNDER REACH OR POLY-AROMATIC HYDROCARBONS (PAHs), OR PERSISTENT ORGANIC POLLUTANTS (POPs) CONTROLLED BY THE STOCKHOLM CONVENTION.

ITEM NO.	QTY.	PART NUMBER	DESCRIPTION
EMITS PROPRIETARY - THE DRAWING ON THIS PRINT AND INFORMATION THEREWITH ARE PROPRIETARY TO EMITS, AND SHALL NOT TO BE DISCUSS IN WHOLE OR IN PART WITHOUT EMITS CONCENT.			
METRIC UNITS = mm		MATERIAL:	
DRAWN ZUL		PHOSPHOR BRONZE 0.8mm WIRE	
CHECKED EE		FINISH: SEE NOTES	
MFG		TOOLING	QUALITY PURCH
SCALE: 3.000			REV. 5
DRAWING NUMBER: SPR301904326			PAGE: 1 OF 1

UNLESS OTHERWISE SPECIFIED TOLERANCES:
 X.X ±0.2
 X.XX ±0.1
 ANGLES ±1°
 BREAK ALL CORNERS R0.1 MAX.
 (C) INDICATES CRITICAL DIMENSION
 (ST) INDICATES SPC REQUIRED Cpk < 1.5 REQUIRES CORRECTIVE ACTION
 DIMENSIONING AND TOLERANCING PER ASME Y14.5M-1994

MX-INI389	SPR301904326		
PROJECT CODE	PART NUMBER	NEXT ASSEMBLY	USED ON

emits Technology Sdn. Bhd.

No.2, Lorong Dahlia, Tmn Industri Dahlia, Mak Mandin 13400 Butterworth, Penang, Malaysia.

TITLE: **INI389 ANTENNA HELIC, SPRING ELEMENT**

B
SIZE