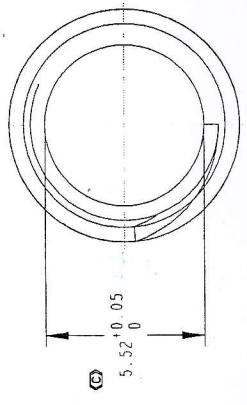
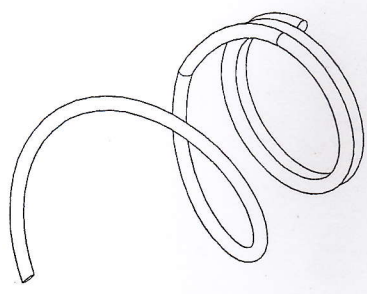
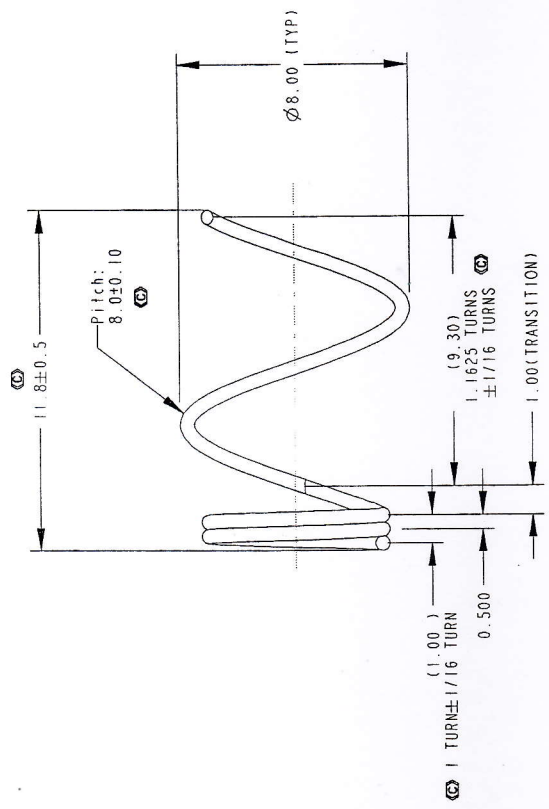


FOR REFERENCE ONLY IF PRINTED  
 CAD DATABASE FILENAME: R-P0010-24-NT0-13

DRAWING STATUS:  
 DEVELOPMENT

REV.	DESCRIPTION.	DATE.	ECO NO.	BY.
1	Released for Prototype.	24-Sep-19	N/A	KY Ho



NOTES:

- MATERIAL :  $\varnothing$ 0.50mm MUSIC WIRE
- PLATING : COPPER PLATED.
- THICKNESS: 6 TO 12 MICRON
- ALL DIMENSIONS ARE IN MILLIMETERS
- CAD CONTROLLED GEOMETRY
- MAX BURR 0.05MM, NO LOOSE BURRS PERMITTED
- PARTS SHALL BE FREE OF LOOSE BURRS, OILS AND DEBRIS
- NO CHANGE IN MATERIAL AND SHEET THICKNESS IS ALLOWED WITHOUT PRIOR WRITTEN APPROVAL BY EMITS TECHNOLOGY.
- DO NOT SCALE DRAWING.
- PARTS SHALL BE PACKAGED IN A MANNER TO PREVENT BOWING, SCRATCHING OR DAMAGE DURING SHIPMENT (FOR EXAMPLE USE TRAY).
- DIMENSIONS TO THEORETICAL INTERSECTION (TTI)
- ALL MATERIALS, PLATING AND PROCESSES USED TO FABRICATE THE COMPONENT SPECIFIED ON THIS DOCUMENT MUST COMPLY WITH THE RoHS DIRECTIVE 2002/95/EC AND GP SS-00255 REQUIREMENTS.

ITEM NO.	QTY.	PART NUMBER	DESCRIPTION	MATERIAL
EMITS PROPRIETARY - THE DRAWING ON THIS PRINT AND INFORMATION HEREIN ARE PROPRIETARY TO EMITS, AND SHALL NOT BE DISCUSSED IN WHOLE OR IN PART WITHOUT EMITS CONSENT.				
TOLERANCES (UNLESS SPECIFIED): X, XX ±0.05 ANGLES ±0.05 CONCENTRICITY ±0.05 PERPENDICULARITY ±0.05 FLATNESS ±0.05			MATERIAL: SEE NOTES	
BREAK ALL CORNERS R0.25 MAX			FINISH: SEE NOTES	
(C) INDICATES CRITICAL DIMENSION (ST) INDICATES SPC REQUIRED CAX ± 1.5 REQUIRES CORRECTIVE ACTION DIMENSIONING AND TOLERANCING PER ASME Y14.5M-1994			METRIC UNITS = mm  DRAWN: KY Ho CHECKED: KY Ho APPROVED: BL Loy	
PROJECT DATABASE LOCATION: WINDCHILL			<b>Emits Technology Sdn. Bhd.</b> Plot 24, Hillir Sungai Keluang 3, Fasa 4, Bayan Lepas Free Industrial Zone, 11900 Penang.	
			<b>Outer Spring PD790 VHF 9cm</b> SCALE: 2.000 REV. 1 PART NUMBER: SPR301909421 PAGE: 1 OF 1	